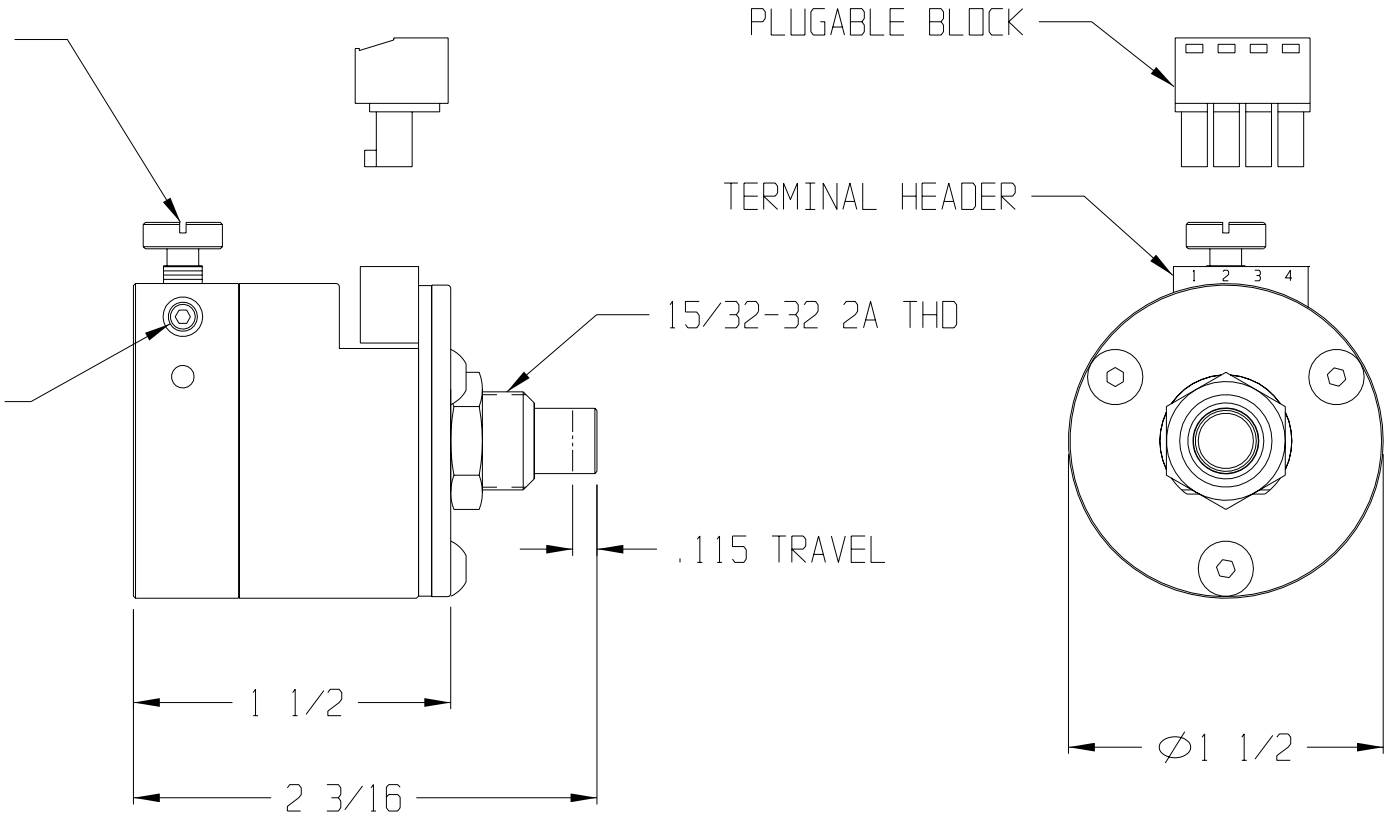


DATE	SYM	REVISION RECORD	AUTH.	DR.	CK.
10/05	-	INITIAL RELEASE	.	WJR	

ADJUSTMENT SCREW (SEE PERFORMANCE CURVE FOR APPROX. INITIAL SETTING)

TIGHTEN SET SCREW WITH 1/16" ALLEN WRENCH TO SECURE ADJUSTMENT.



4. CONSTRUCTION: ANODIZED ALUMINUM HOUSING; STAINLESS STEEL PLUNGER.

3. FORM Z CONTACT CONFIGURATION

2. SWITCH: 5 AMP 125 VAC

NOTES: 1. TERMINAL PINS 1 & 3 N.O. PINS 2 & 4 N.C.

TOLERANCES (EXCEPT AS NOTED)		 290 PRATT STREET, 4TH FLOOR, MERIDEN, CT 06450			
DECIMAL	± -				
FRACTIONAL	± -	DATA SHEET - PNEUMATIC SWITCH, FORM Z			
ANGULAR	± -	DATE 10/26/05	DRAWING NUMBER 750-2000		REV. -